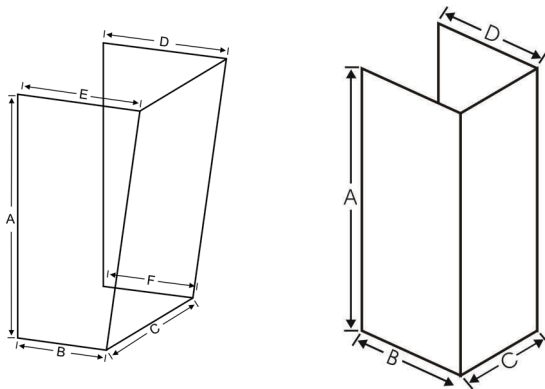
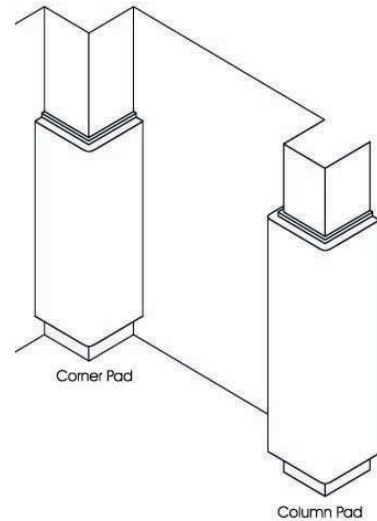




# Column Pads & I-Beam Pads

Artistic Coverings can build a pad to cover most shapes, 3 sided, 4 sided, rectangular or tapered columns. Padding columns can provide a significant measure of protection against collisions with existing posts and poles. They are easy to install and actually enhance the appearance of your facility. Available for both free standing and in wall supports. Pads can be manufactured to your exact requirements and can be installed on steel, concrete or wood columns. All column pads are made with 18oz coated vinyl, backed with OSB, filled with your choice of foam types and can be made with or without lips for installation. Another option is sewn pads filled with your choice of foam types and adhered to the column with hook and loop closures. Column pads are unique in size and shapes are considered custom. Please call or email for a quote.



### Irregular Column Pads

Provide dimensions A, B, C, D, & F as shown on image above.

### 3 Sided Column Pads

Provide dimensions A, B, C, & D as shown on image above.

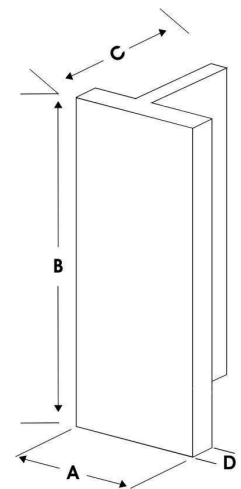
I Beam pads can provide protection on steel columns protruding into your usable space. Installation is easy; pad fits snugly around the face of the beam and is held securely in place with self adhesive hook and loop closures. Standard size of pad is 8" face (A) and 6' tall (B). Custom sizes can be fabricated to your specifications. Please call or email for a quote.



Photo courtesy of Vans Skate Parks



Custom I-Beam Pad with a cut out



Provide dimensions A,B,C & D as shown above.